

**GROVE**

FEDERSEILTROMMEL  
CABLE DRUM WITH RELEASE SPRING

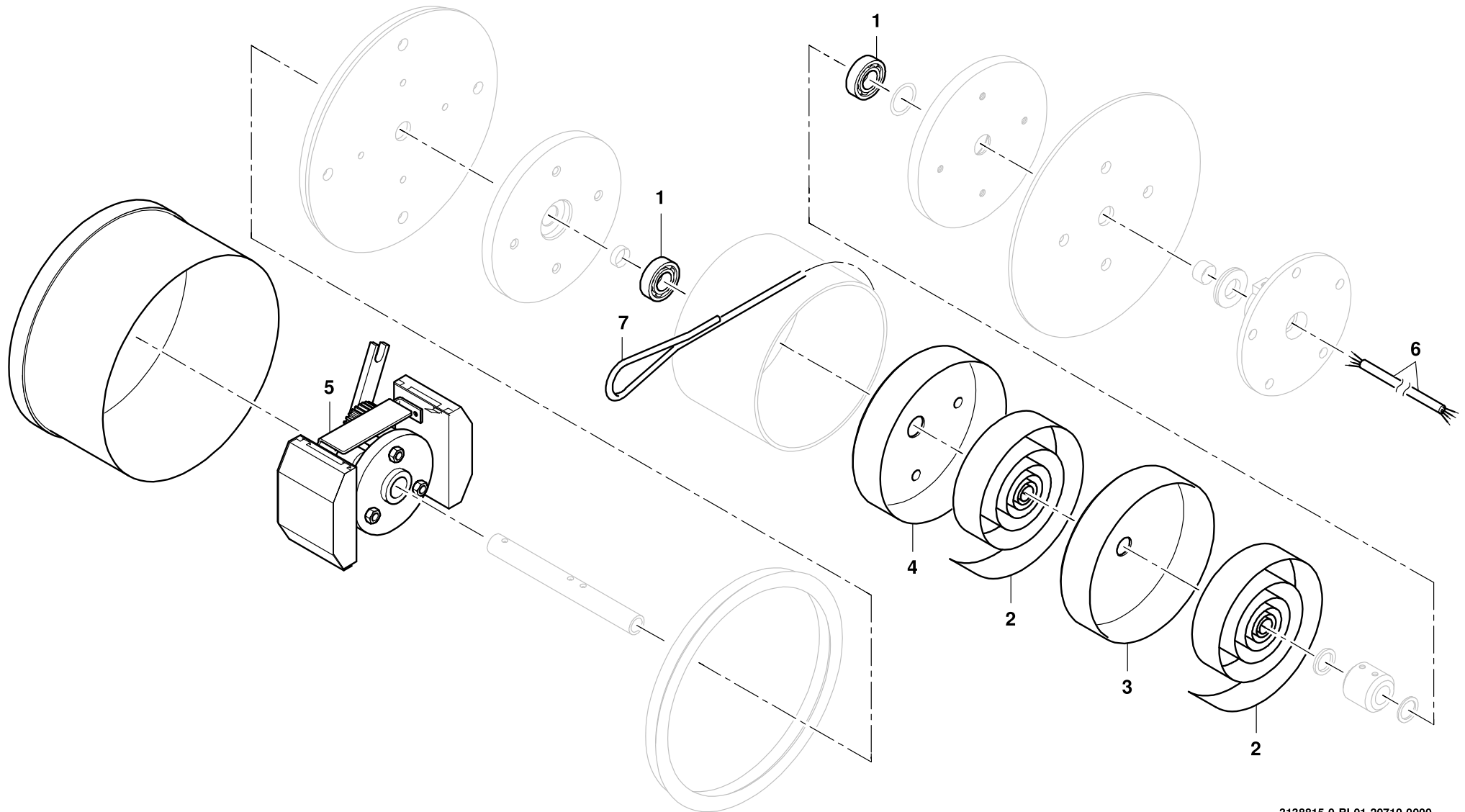
BILDTAFFEL  
PICTORIAL DISPLAY

**GMK 3050**

207.10

**3138815-ETL #**

1/1

**G 806**

3138815-0-BL01-20710-0000